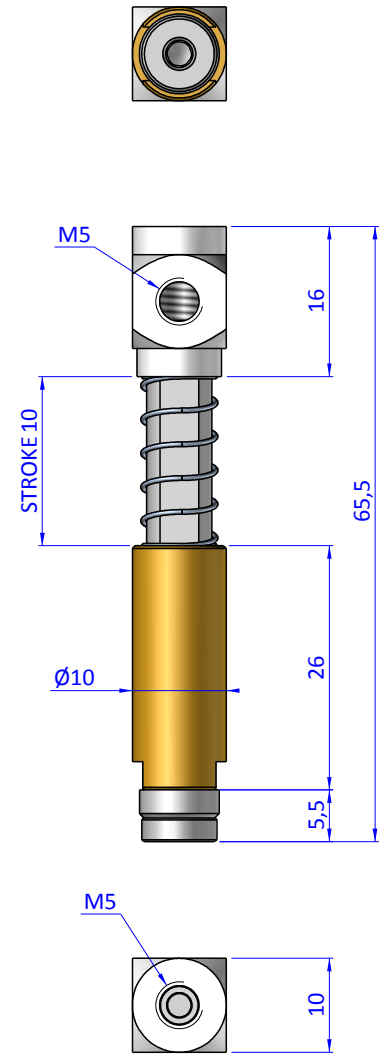
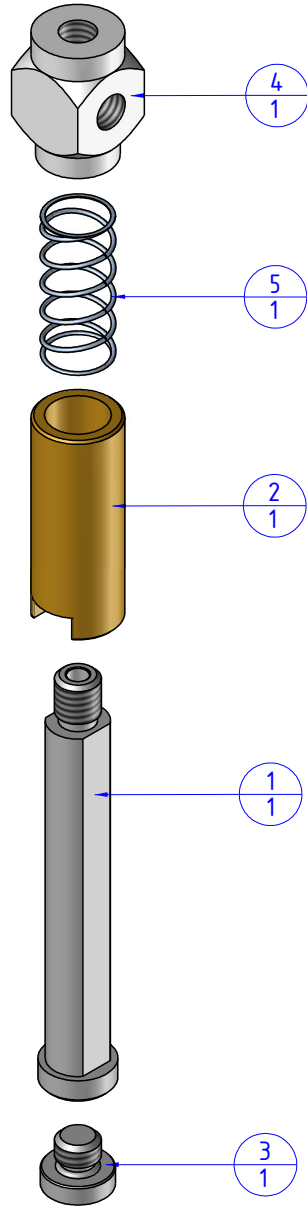


THE PROPERTY OF THE DRAWING IS ESTABLISHED BY LAW. IT IS FORBIDDEN TO PRODUCE OR SHOW IT TO THIRD PARTY, WITHOUT A WRITTEN AGREEMENT.

Item	Name	Q.ty
1	05.01.005.07	1
2	05.01.005.08	1
3	CA.08.14.013	1
4	GGD.10.05.05.M5F	1
5	M.8x26.6N	1



Format A3

UNI 936-76

		DESIGNED FROM		REVIEW
		FPSERVICES		A
GENERAL TOLERANCE		DATE	WEIGHT	
UNI - ISO 2768		14/02/2019	0,024kg	
CLASSE f		CODE		
		CA.05.02.010.GGD		CA.05.02.010.GGD